

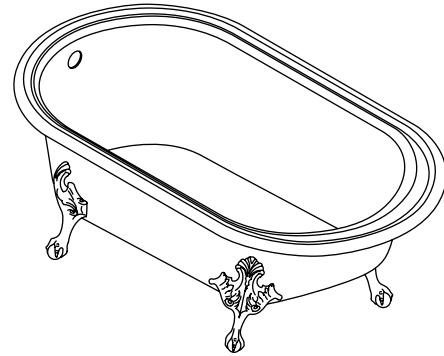
Features

- Cast iron with Safeguard® finish
- Optional K-1491 pillow
- Optional K-1601 footstop
- 66" (167.6 cm) x 36" (91.4 cm) x 24-1/2" (62.2 cm) [height with feet]

Codes/Standards Applicable

Specified model meets or exceeds the following:

- ASME A112.19.1
- CSA B45
- UPC



Colors/Finishes

- 0: White
- 47: Almond
- 96: Biscuit
- Other: Refer to Price Book for additional colors/finishes

Accessories

- CP: Polished Chrome
- PB: Vibrant® Polished Brass
- Other: Refer to Price Book for additional colors/finishes

Specified Model

Model	Description	Colors/Finishes		
K-710-A	Bath – Almond exterior		<input type="checkbox"/> 47	<input type="checkbox"/> Other _____
K-710-B	Bath – Biscuit exterior		<input type="checkbox"/> 96	<input type="checkbox"/> Other _____
K-710-S	Bath – Sandbar exterior	<input type="checkbox"/> 0		<input type="checkbox"/> Other _____
K-710-W	Bath – White exterior	<input type="checkbox"/> 0		<input type="checkbox"/> Other _____

Required Accessories

K-1103	Claw feet	<input type="checkbox"/> 0	<input type="checkbox"/> Other _____
--------	-----------	----------------------------	--------------------------------------

Recommended Accessories

K-7104	Iron Works bath drain	<input type="checkbox"/> CP	<input type="checkbox"/> PB	<input type="checkbox"/> Other _____
K-7178	Clearflo decorative bath drain	<input type="checkbox"/> CP	<input type="checkbox"/> PB	<input type="checkbox"/> Other _____

Product Specification

The bath shall be made of cast iron with Safeguard finish. Product shall be 66" (167.6 cm) in length, 36" (91.4 cm) in width, and 24-1/2" (62.2 cm) in height [height with feet]. Product shall be have an optional K-1491 bath pillow, and an optional K-1601 footstop. Bath shall be Kohler Model K-710-____-____.

IRON WORKS® HISTORIC™

Optional Accessories			
K-1491	Pillow	<input type="checkbox"/> 0	<input type="checkbox"/> Other_____
K-1601	Footstop	<input type="checkbox"/> 0	<input type="checkbox"/> Other_____

Technical Information

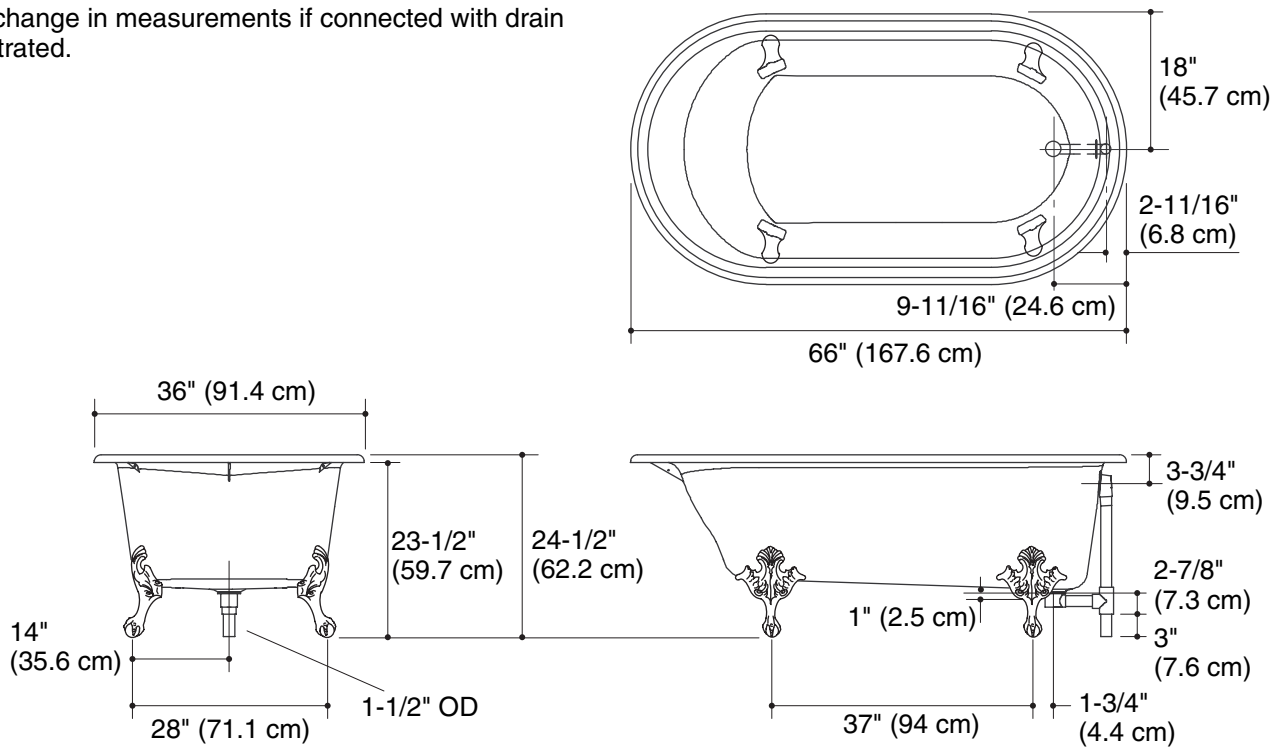
Fixture*:	
Bathing well:	
Basin area, bottom	47-1/2" (120.7 cm) x 25" (63.5 cm)
Basin area, top	55" (139.7 cm) x 29" (73.7 cm)
Weight	375 lbs (170.1 L)
To overflow:	
Water depth	12-5/8" (32.1 cm)
Capacity	64 gal (242.3 L)
* Approximate measurements for comparison only.	

Installation Notes

Install this product according to the installation guide.

Floor support under the bath must provide for a minimum of 57 lbs/square foot (276.4 kg/square meter) loading.

No change in measurements if connected with drain illustrated.



Product Diagram