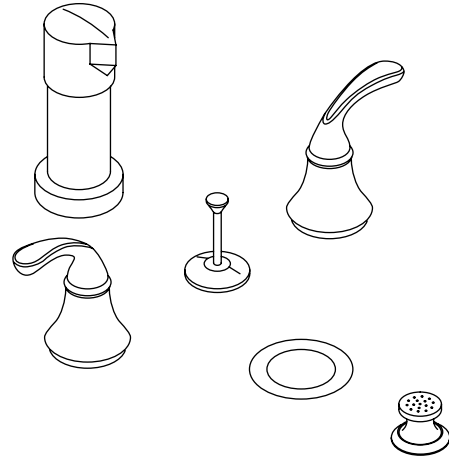


**BIDET FAUCET
K-10279**

Features

- Metal construction
- Flexible connections for easy installation
- Pop-up drain with lift rod and tailpiece
- Lever handles
- Vertical spray
- Fixture-mount transfer valve/vacuum breaker
- Reversible quarter-turn washerless ceramic disc valves



Codes/Standards Applicable



Specified model meets or exceeds the following:

- ASME A112.18.1/CSA B125.1
- IAPMO/cUPC
- ASSE 1001

Colors/Finishes

- CP: Polished Chrome
- PB: Vibrant® Polished Brass

Specified Model

Model	Description				
K-10279-4	Bidet faucet with sculpted lever handle (shown)	<input type="checkbox"/> CP	<input type="checkbox"/> Other_____		
K-10279-4A	Bidet faucet with traditional lever handle			<input type="checkbox"/> CP	<input type="checkbox"/> Other_____

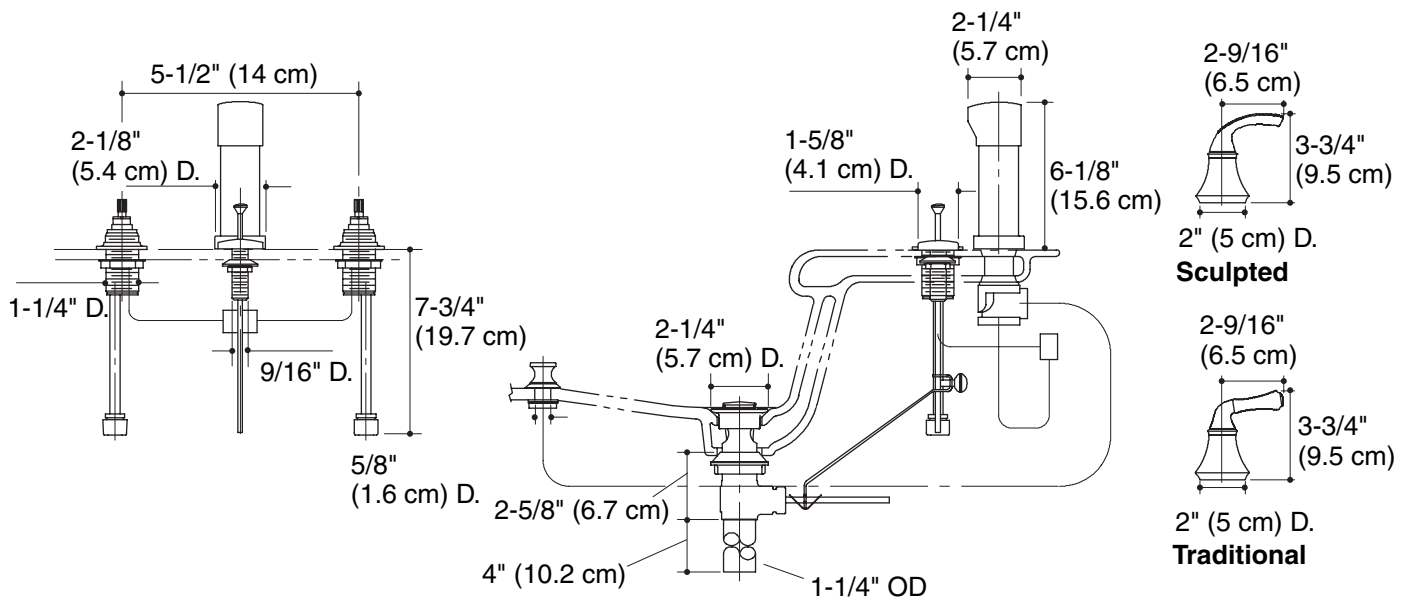
Product Specification

Two-handle fixture-mount bidet faucet shall be of metal construction. Faucet shall feature reversible quarter-turn washerless ceramic disc valves. Product shall include flexible connections for easy installations, pop-up drain with lift rod and tailpiece, lever handles, vertical spray, and fixture-mount transfer valve/vacuum breaker. Faucet shall be Kohler Model K-_____-_____-.

FORTÉ®

Installation Notes

Install this product according to the installation guide.



Product Diagram