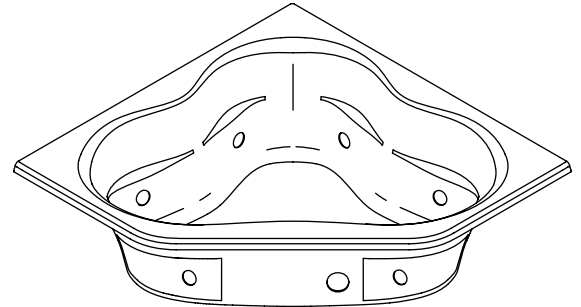


### BATH WHIRLPOOL K-1160 ALSO K-1160-F

#### Features

- Acrylic
- 6 individually adjustable ProFlex® hydro-massage jets
- Drop-in
- Molded lumbar supports and armrests
- Textured bottom surface
- Optional K-1717 timer kit
- Optional K-9696 whirlpool trim kit in various finishes
- Pump with air switch and grounding-type plug-in cord
- Integral tile flange on both sides for corner installation. [K-1160-F]
- 60" (152.4 cm) x 60" (152.4 cm) x 21" (53.3 cm)



#### Codes/Standards Applicable

Specified model meets or exceeds the following:

- ANSI Z124.1.2
- ASME A112.19.7M
- UL 1795

#### Colors/Finishes

- 0: White
- Other: Refer to Price Book for additional colors/finishes

#### Accessories

- 0: White
- CP: Polished Chrome
- PB: Polished Brass
- NA: None applicable
- Other: Refer to Price Book for additional colors/finishes

#### Specified Model

Model	Description	Colors/Finishes	
K-1160	Bath whirlpool – drop-in (shown)	<input type="checkbox"/> 0	<input type="checkbox"/> Other _____
K-1160-F	Bath whirlpool – integral tile flange	<input type="checkbox"/> 0	<input type="checkbox"/> Other _____

Recommended Accessories			
K-11677	Adjustable trip lever bath drain	<input type="checkbox"/> CP	<input type="checkbox"/> PB

Optional Accessories					
K-1491	Pillow	<input type="checkbox"/> 0			<input type="checkbox"/> Other _____
K-1601	Footstop	<input type="checkbox"/> 0			<input type="checkbox"/> Other _____
K-1717	20-minute timer kit			<input type="checkbox"/> NA	
K-9696	Jet trim kit (metal finishes)		<input type="checkbox"/> CP	<input type="checkbox"/> PB	<input type="checkbox"/> Other _____

#### Product Specification

The drop-in acrylic bath whirlpool shall be 60" (152.4 cm) in length, 60" (152.4 cm) in width, and 21" (53.3 cm) in height. Product shall have 6 individually adjustable ProFlex hydro-massage jets, a pump with air switch and grounding-type plug-in cord, a textured bottom surface, and molded lumbar supports and armrests. Product shall have integral tile flange on both sides for corner installation [K-1160-F]. Product shall have optional K-1717 timer kit and optional K-9696 whirlpool trim kit in various finishes. Bath whirlpool shall be Kohler Model K-1160-\_\_\_\_\_ or K-1160-F-\_\_\_\_\_.

# TERCET®

## Technical Information

Fixture*:	
Basin area:	
Bathing well	52" (132.1 cm) x 38-3/4" (98.4 cm)
Top area	61" (154.9 cm) x 46-1/4" (117.5 cm)
Weight	127 lbs (57.6 kg)
To overflow:	
Water depth	15" (38.1 cm)
Capacity	96 gal (363.6 L)
* Approximate measurements for comparison only.	

Pump:	V	Hz	A
1-speed	120	60	7.5

Minimum access panel (required):	20" (50.8 cm) W x 15" (38.1 cm) H
----------------------------------	-----------------------------------

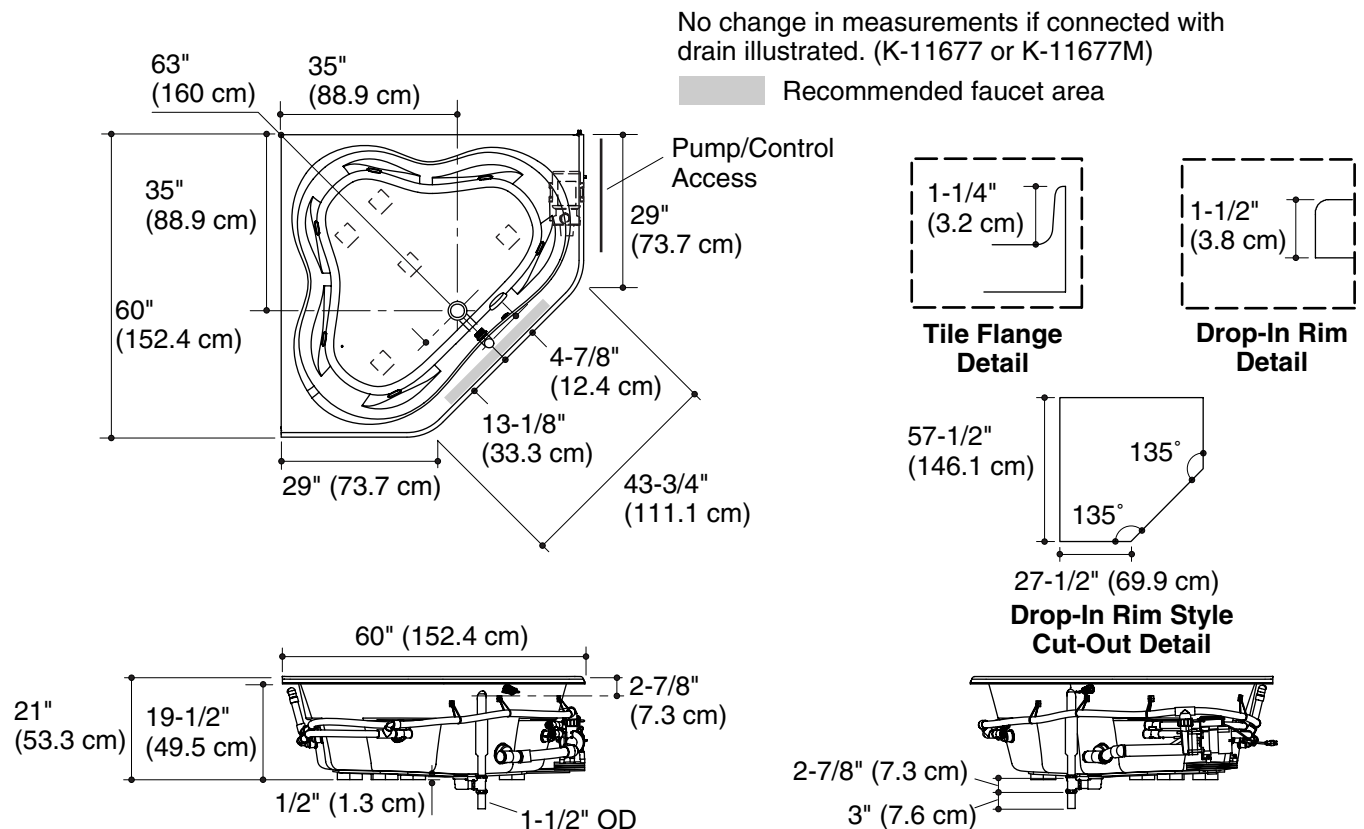
## Required Electrical Service

Dedicated circuit required, protected with Class A Ground-Fault Circuit-Interrupter (GFCI):	
Pump/control	120 V, 15 A, 60 Hz
Locate the outlet behind the whirlpool and within 24" (61 cm) of the pump.	

## Installation Notes

Install this product according to the installation guide.

Floor support under whirlpool must provide for a minimum of 52 lbs/square foot (255 kg/square meter) loading.



## Product Diagram