

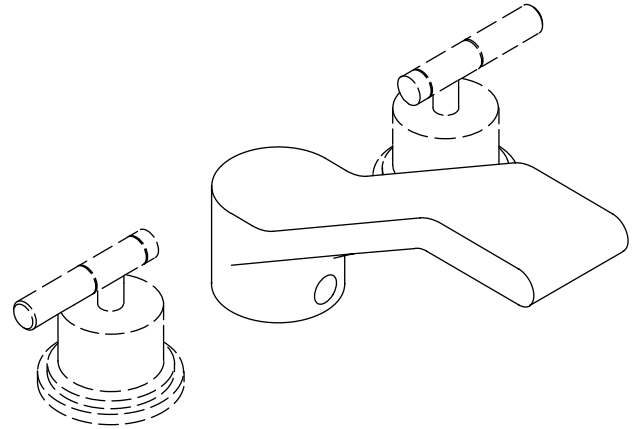
**Features**

- Brass construction
- Bath- or deck-mount
- Variety of handle style options
- 6" (15.2 cm) Bullnose non-diverter spout with slip-fit connection

**Codes/Standards Applicable**

Specified model meets or exceeds the following:


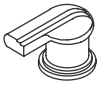
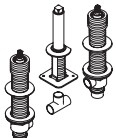
- ASME A112.18.1/CSA B125.1
- ADA
- ICC/ANSI A117.1



**Colors/Finishes**

- CP: Polished Chrome

**Specified Model**

Model	Description		
K-T8238-4	Bath faucet trim with lever handles	<input type="checkbox"/> CP	
K-T8238-4A	Bath faucet trim with swirl lever handles		<input type="checkbox"/> CP
<b>Required Accessories</b>			
K-300-K	1/2" high-flow ceramic disc valve system	<input type="checkbox"/> NA	

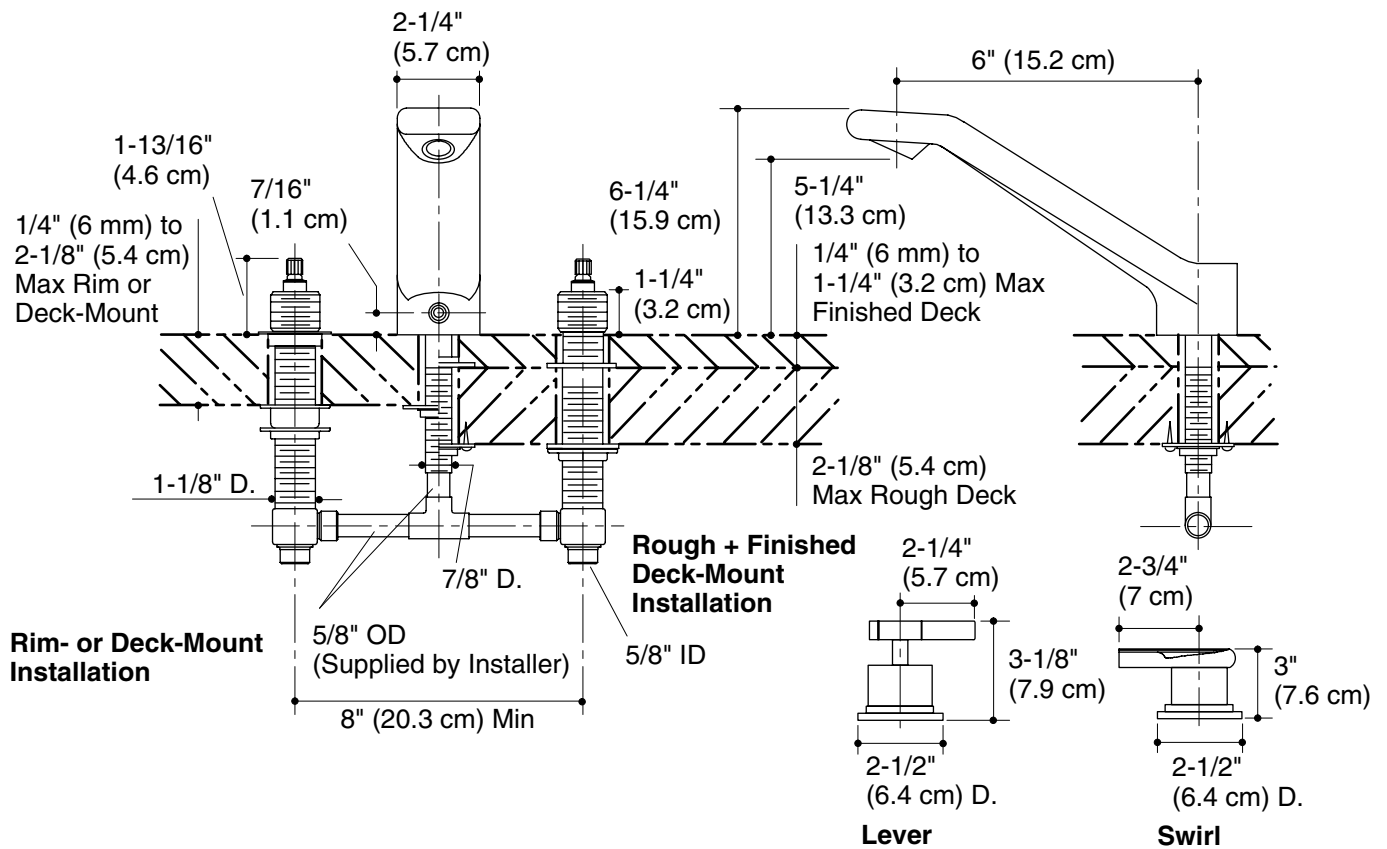
**Product Specification**

Two-handle high-flow bath-mount bath faucet trim shall be made of brass construction. Product shall include 6" (15.2 cm) bullnose non-diverter spout with slip-fit connection, and handles. Faucet trim shall be Kohler Model K-T8238-\_\_\_\_-\_\_\_\_ and valve system shall be K-300-K-NA.

# TABORET®

## Installation Notes

Install this product according to the installation guide.



## Product Diagram