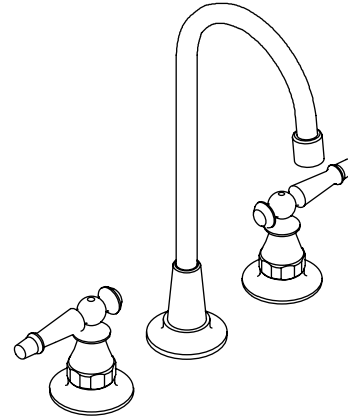


**ENTERTAINMENT SINK FAUCET  
K-118**

**ADA**

**Features**

- Brass construction
- Brass valve bodies
- Quarter-turn washerless ceramic disc valves
- Flexible connections for easy installation
- For 8" (20.3 cm) or 16" (40.6 cm) centers
- 5" (12.7 cm) spout reach
- High Country™ swing spout
- Available with six-prong or ADA compliant lever handles
- Lower flow aerator options are available (refer to the Kohler Price Book)
- 2.2 gpm (8.3 lpm) maximum flow rate



**Codes/Standards Applicable**

Specified model meets or exceeds the following at date of manufacture:

- ADA
- ASME A112.18.1/CSA B125.1
- ICC/ANSI A117.1
- Energy Policy Act of 1992
- NSF 61
- All applicable US Federal and State material regulations



**Colors/Finishes**

- CP: Polished Chrome
- PB: Vibrant® Polished Brass
- Other: Refer to Price Book for additional colors/finishes

**Accessories**

- CP: Polished Chrome
- PB: Vibrant® Polished Brass
- Other: Refer to Price Book for additional colors/finishes
- NA: None applicable

**Specified Model**

Model	Description				<b>ADA</b> 
K-118-3	Entertainment sink faucet – six-prong handles	<input type="checkbox"/> CP	<input type="checkbox"/> PB	<input type="checkbox"/> Other _____	
K-118-4	Entertainment sink faucet – ADA compliant lever handles (shown)				<input type="checkbox"/> CP <input type="checkbox"/> PB <input type="checkbox"/> Other _____

**Product Specification**

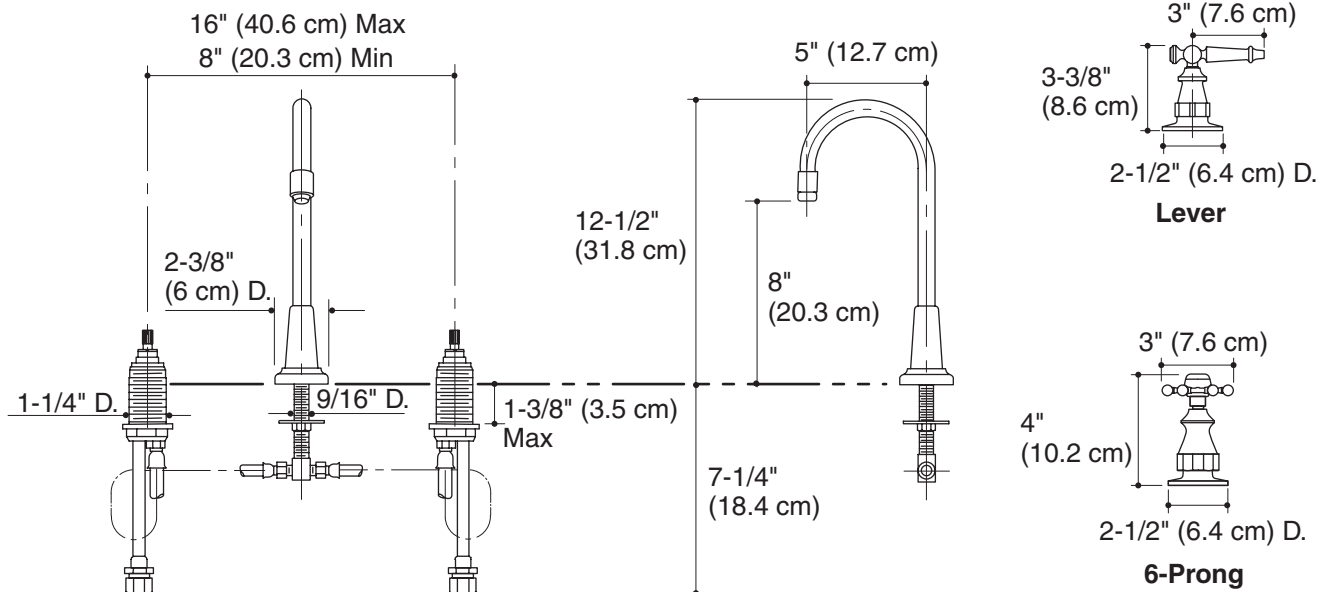
The two-handle entertainment sink faucet shall be of brass construction with brass valve bodies. Product shall feature a 2.2 gpm (8.3 lpm) maximum flow rate with lower flow aerator options available (refer to the Kohler Price Book). Product shall feature quarter-turn washerless ceramic disc valves. Product shall feature flexible connections for easy installation, a 5" (12.7 cm) spout reach with a High Country swing spout. Product shall be available with six-prong or ADA compliant lever handles. Product shall be for 8" (20.3 cm) or 16" (40.6 cm) centers. Faucet shall be Kohler Model K-118-\_\_\_\_-\_\_\_\_.

# ANTIQUETM

Optional Accessories					
K-9637	Small lever inserts, pair	<input type="checkbox"/> CP	<input type="checkbox"/> PB		
K-9657	Small lever inserts, pair			<input type="checkbox"/> Other _____	
40003	Wrench for long-stemmed ceramic valve bodies				<input type="checkbox"/> NA

## Installation Notes

Install this product according to the installation guide.



## Product Diagram