

**BATH AND SHOWER FAUCET  
K-16213**

**ALSO K-16214, K-16217**

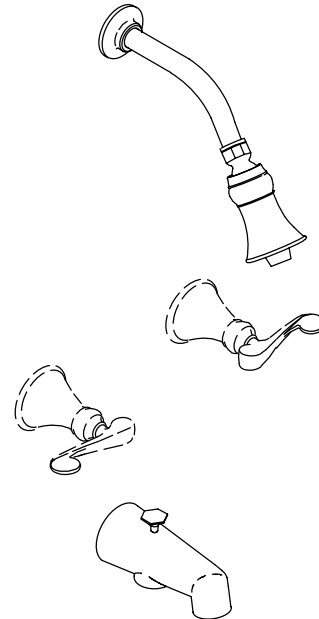
**FEATURES**

- Brass construction
- For 8" centers
- Brass valve bodies
- 1/2" quarter-turn washerless ceramic disc valves
- Available with scroll or traditional handles

**CODES/STANDARDS APPLICABLE**

Specified model meets or exceeds the following:



- ASME/ANSI A112.18.1M



**COLORS/FINISHES**

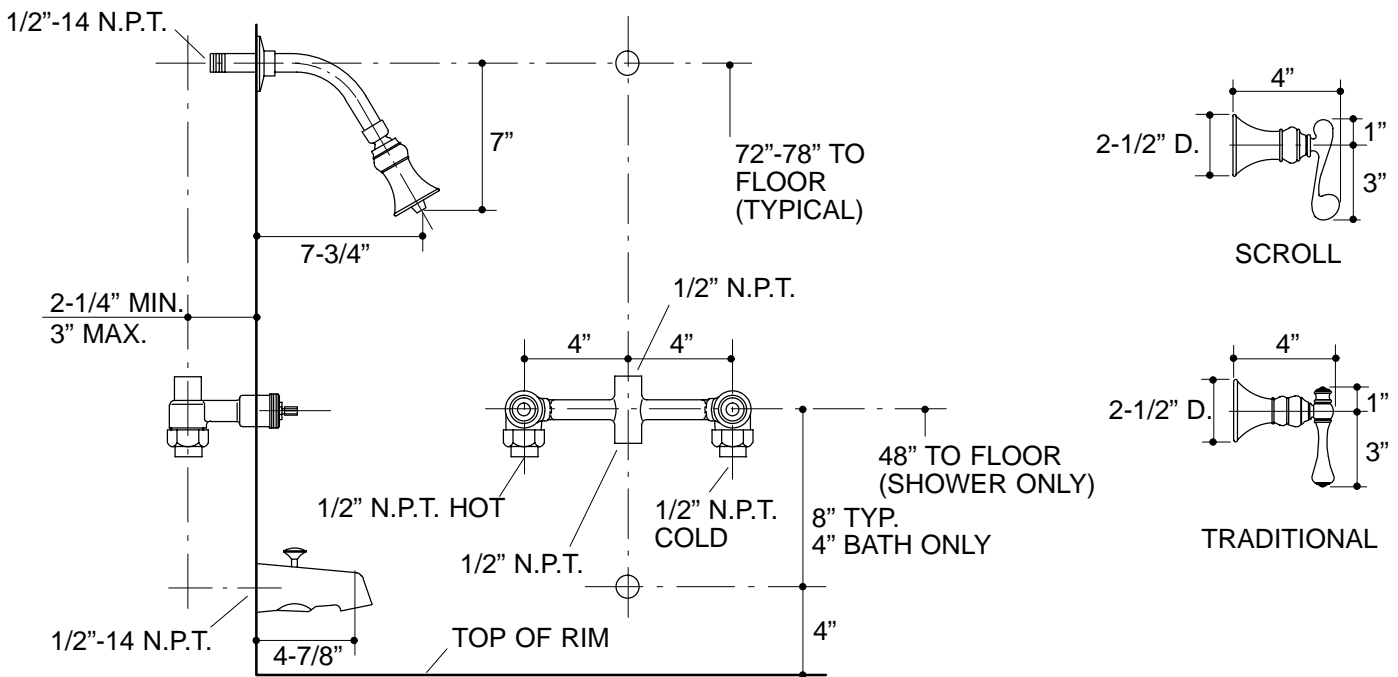
- CP Polished Chrome
- PB Polished Brass
- Other Refer to Faucets Price Book for additional finishes

**SPECIFIED MODEL:**

Model	Description	 <input type="checkbox"/> ADA	 <input type="checkbox"/> ADA
K-16213-4	Bath and Shower, Scroll Handles	<input type="checkbox"/> CP <input type="checkbox"/> P B <input type="checkbox"/> Other_____	
K-16213-4A	Bath and Shower, Traditional Handles		<input type="checkbox"/> CP <input type="checkbox"/> P B <input type="checkbox"/> Other_____
K-16214-4	Shower Only, Scroll Handles	<input type="checkbox"/> CP <input type="checkbox"/> P B <input type="checkbox"/> Other_____	
K-16214-4A	Shower Only, Traditional Handles		<input type="checkbox"/> CP <input type="checkbox"/> P B <input type="checkbox"/> Other_____
K-16217-4	Valve Only, Scroll Handles	<input type="checkbox"/> CP <input type="checkbox"/> P B <input type="checkbox"/> Other_____	

**PRODUCT SPECIFICATION:**

Two handle bath and shower faucet shall be of brass construction. Faucet shall feature brass valve bodies. Faucet shall feature 1/2" quarter-turn washerless ceramic disc valves, assuring positive handle stop positioning. Bath and shower faucet shall include showerhead with arm and flange, 4-7/8" diverter spout with N.P.T. connection, and handles. Shower only faucet shall include showerhead with arm and flange, and handles. Valve only faucet shall include handles. Faucet shall be Kohler Model K-\_\_\_\_\_-\_\_\_\_\_-\_\_\_\_\_.  
CP P  
B Other\_\_\_\_\_



14

**PRODUCT DIAGRAM**