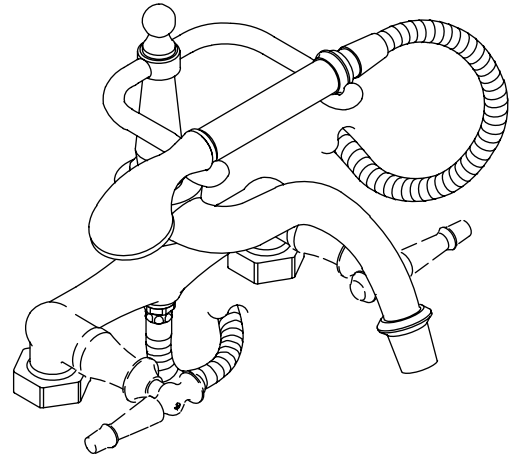


Features

- Brass construction
- Bath- or deck-mount
- Brass valve bodies
- Variety of handle style options
- 1/2" quarter-turn washerless ceramic disc valves
- 9-5/8" (24.4 cm) spout with diverter
- Antique handshower with 60" (152.4 cm) hose



Codes/Standards Applicable

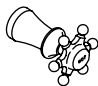


Specified model meets or exceeds the following:

- ADA
- ASME A112.18.1/CSA B125.1
- ASSE 1014
- ASSE 1025
- CSA B64
- UPC

Colors/Finishes

- CP: Polished Chrome
- PB: Vibrant® Polished Brass
- Other: Refer to Price Book for additional colors/finishes

Specified Model

Model	Description									
		<input type="checkbox"/> CP	<input type="checkbox"/> PB	<input type="checkbox"/> Other _____	<input type="checkbox"/> CP	<input type="checkbox"/> PB	<input type="checkbox"/> Other _____	<input type="checkbox"/> CP	<input type="checkbox"/> PB	<input type="checkbox"/> Other _____
K-110-3	With six-prong handles	<input type="checkbox"/>	<input type="checkbox"/>	<input type="checkbox"/>						
K-110-4	With lever handles				<input type="checkbox"/>	<input type="checkbox"/>	<input type="checkbox"/>			
K-110-9B	With oval handles							<input type="checkbox"/>	<input type="checkbox"/>	<input type="checkbox"/>

Required Accessories										
K-126	27-7/8" (70.8 cm) riser tubes, pair (for deck-mount bath faucet installation)	<input type="checkbox"/>	<input type="checkbox"/>	<input type="checkbox"/>						
K-127	27-7/8" (70.8 cm) riser tubes, pair (for K-100 Birthday Bath® installation)	<input type="checkbox"/>	<input type="checkbox"/>	<input type="checkbox"/>						
K-128	31-1/2" (80 cm) riser tubes, pair (for K-700 Vintage® bath installation)	<input type="checkbox"/>	<input type="checkbox"/>	<input type="checkbox"/>						

Product Specification

Two-handle bath- or deck-mount bath faucet shall be of brass construction. Faucet shall feature brass valve bodies. Faucet shall feature 1/2" quarter-turn washerless ceramic disc valves, assuring positive handle stop positioning. Product requires riser tubes. Product shall include an Antique handshower with 60" (152.4 cm) hose, 9-5/8" (24.4 cm) diverter spout, and a variety of handle style options. Faucet shall be Kohler Model K-110-_____ -_____ and the riser tubes shall be Kohler Model K-_____ -_____.

ANTIQUETM

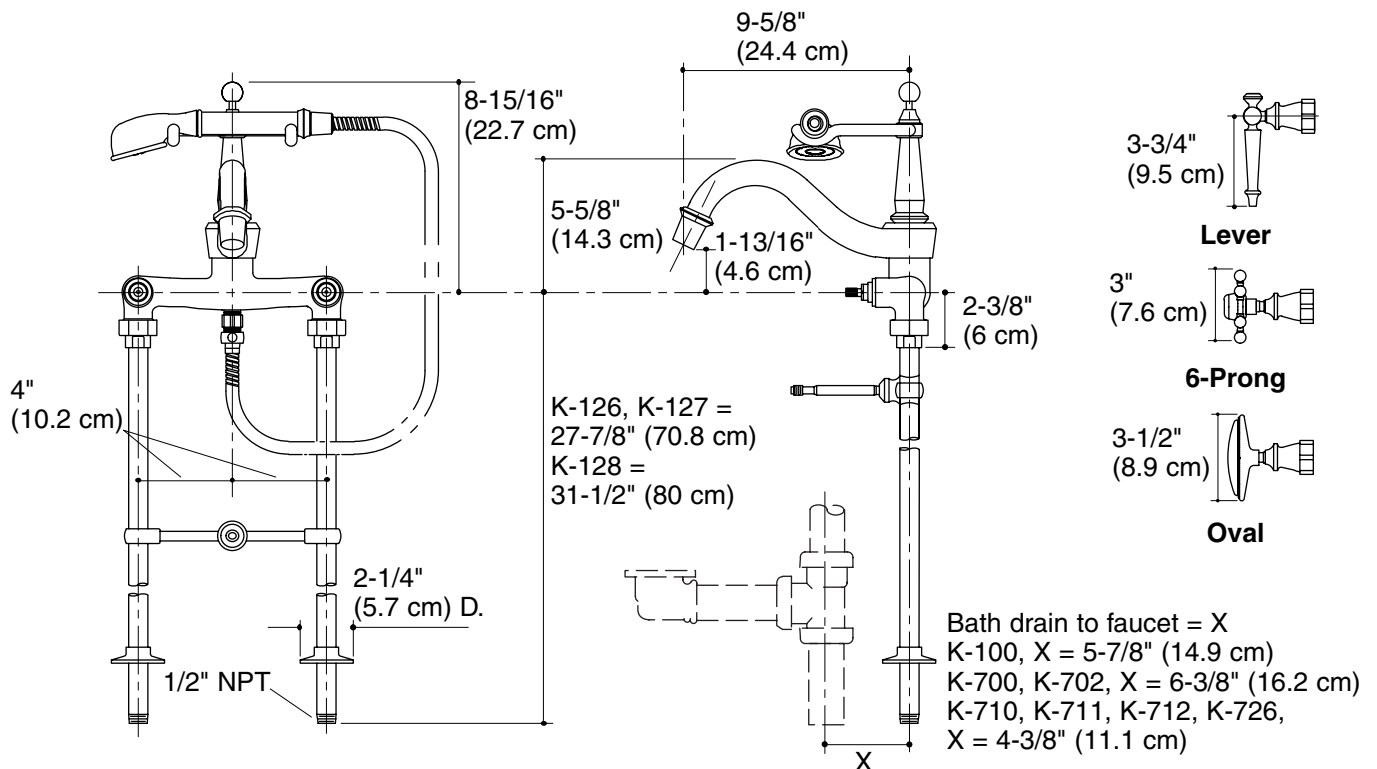
Technical Information

Applicable components:	
Bath faucet with six-prong handles*	K-110-3
Bath faucet with lever handles*	K-110-4
Bath faucet with oval handles**	K-110-9B
Riser tubes for deck-mount installation	K-126
Riser tubes for Birthday bath	K-127
Riser tubes for Vintage bath	K-128
Accessories/hardware:	
Ceramic oval insets (pair)	K-268
Ceramic oval insets, garland texture (pair)	K-264
*Requires riser tubes.	
**Requires riser tubes and ceramic insets.	
Lever handles are ADA compliant.	ADA

Installation Notes

Install this product according to the installation guide.

Choose the short or the long rod when connecting the overflow drain to the riser tube assembly. If the bath to drain faucet distance is 6-3/8" (16.2 cm) use the long rod (42237). If the bath to drain faucet distance is 4-3/8" (11.1 cm) use the short rod (1001117).



Product Diagram